

KARIBAN

REFERENCE : K752

SIZES : 38_40_42_44_46_48_50_52_54

COMPOSITION :

Main fabric : Washed Cotton twill - 200 100%cotton
Lining : Cotton chambray - 130 For pocket bag , fly piping, inside waist and back rise 100%cotton

WEIGHT :

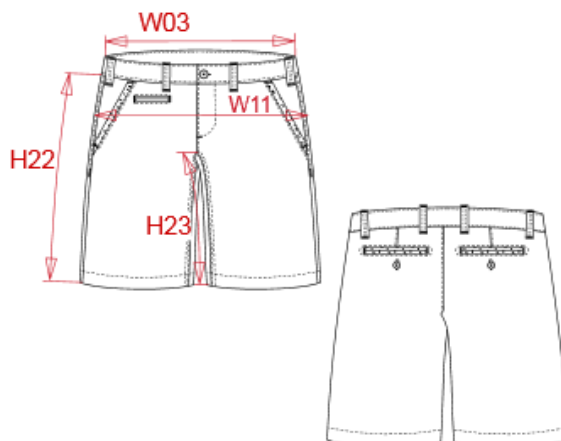
Main fabric : 200 gsm
Lining : 130 gsm

TECHNICAL DETAIL :

Enzyme washed

ARTICLE WEIGHT :

280 gr/pc



DESCRIPTION	
Français :	Bermuda aspect délavé homme
English :	Men's washed effect bermuda shorts
Nederlands :	Herenbermuda met verwassen look
Deutsch :	Bermuda-Shorts für Herren im ausgewaschenen Look
Español :	Bermuda efecto lavado para hombre
Italiano :	Bermuda uomo aspetto slavato
Português :	Bermuda pré-lavada de homem

COLORS	PANTONE SERIGRAPHIE
Washed charcoal	447C
Washed marsala	7616C
Washed smoky blue	Cool gray 8C
Washed light khaki	7764C
Washed navy	432C

MEASUREMENT										
Description	38	40	42	44	46	48	50	52	54	
W03 (M)* 1/2 largeur taille / 1/2 waist width	41,50	43,50	45,50	47,50	50	52,50	55	57,50	60	
W11 (M)* 1/2 bassin / 1/2 hip width	50	52	54	56	58	60	62	64	66	
H22 (M)* Longueur côté / Side length	43,05	43,80	44,55	45,30	46,05	46,80	47,55	48,30	49,05	
H23 (M)* Longueur entrejambe / Inside leg length	25,25	25,50	25,75	26	26,25	26,50	26,75	27	27,25	

CARE LABEL				

PACKING	
Box	25 pcs / box
	38 => L:58 cm W: 38 cm H:19 cm GW: 8.90kg NW: 7.50 kg
	40 => L:58 cm W: 38 cm H:19 cm GW: 9.15kg NW: 7.75 kg
	42 => L:58 cm W: 38 cm H:19 cm GW: 9.50kg NW: 8.81 kg
	44 => L:58 cm W: 38 cm H:19 cm GW: 9.65kg NW: 8.25 kg
	46 => L:58 cm W: 38 cm H:19 cm GW:9.95 kg NW: 8.55 kg
	48 => L:60 cm W: 40 cm H:19 cm GW:10.35 kg NW: 8.95 kg
	50=> L:60 cm W: 40 cm H:19 cm GW:10.55 kg NW:9.15 kg
	52=> L:60 cm W: 40 cm H:19 cm GW:10.80 kg NW:9.40 kg
	54=> L:60 cm W: 40 cm H:19 cm GW:11.10 kg NW: 9.70 kg