

REFERENCE : KI0352

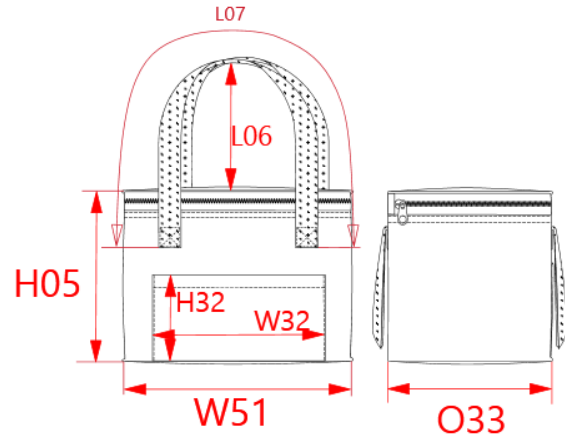
SIZES : U

COMPOSITION :

Main fabric : Jute PU backing - 330 For bag 100%jute
 Main fabric : Cotton canvas - 130 For front pouch 100%cotton
 Lining 1 : EPA foam High density insulating internal foam 100% EPA
 Lining 2 : PEVA Aluminium lining on inside, special for cooler bags. 100%polyethylene vinyl acetate

ARTICLE WEIGHT :

150 gr/pc



DESCRIPTION	
Français : Sac isotherme en jute - petit modèle	
English : Jute cool bag-small size	
Nederlands : Koeltas van jute - klein model	
Deutsch : Kleine Kühltasche aus Jute	
Español : Bolsa isotérmica de yute - modelo pequeño	
Italiano : Borsa isotermica in iuta - modello piccolo	
Português : Saco isotérmico em juta - modelo pequeno	

COLORS	PANTONE SERIGRAPHIE
Natural	7534C

MEASUREMENT	
Description	U
H05 Hauteur totale / Total height	15
W51 Total width	20
L07 Light of shoulder handles	50
H32 Hauteur poche devant / Front pocket height	9
W32 Largeur poche devant / Front pocket width	16
L06 Light of top handle	16
O33 Deep of bottom part	15

PACKING	
Box	50 pcs / box U => L:40cm W:35cm H:70cm GW:9.68kg NW:8.00kg