

REFERENCE : KI0746

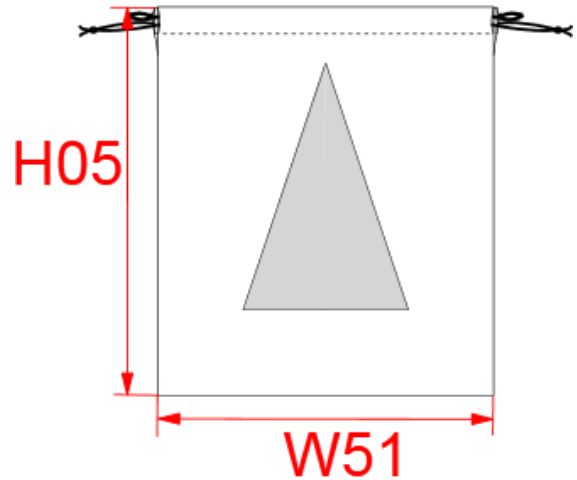
SIZES : U

COMPOSITION :

Main fabric : Cotton canvas - 220 100%cotton

ARTICLE WEIGHT :

130 gr/pc



| DESCRIPTION | |
|---------------------|--|
| Français : | Sac coton à cordon motif sapin |
| English : | Cotton bag with Christmas tree design and drawcord closure |
| Nederlands : | Katoenen koordjestas met dennenmotief |
| Deutsch : | Baumwolltasche mit Kordelzug und Tannenbaummotiv |
| Español : | Bolsa algodón cierre cordón, diseño de pino |
| Italiano : | Borsa in cotone con motivo "Abete" |
| Português : | Saco de algodão com cordão, motivo árvore de Natal |

| COLORS | PANTONE SERIGRAPHIE |
|------------|------------------------|
| Black | Black |
| Cherry red | 7427C |
| Natural | 7534C |

| MEASUREMENT | | | | | | | |
|--|----|--|--|--|--|--|--|
| Description | U | | | | | | |
| H05 Hauteur totale / Total height | 45 | | | | | | |
| W51 Total width | 38 | | | | | | |

| PACKING | |
|---------|---|
| Box | 100 pcs / box U => L:48cm W:40cm H:22cm GW:10.5kg NW:11.55kg |