



**REFERENCE :** KI0830

**SIZES :** U

**COMPOSITION :**

Main fabric : Polyester oxford 600D PVC backing Main fabric.  
100%polyester

: Dot PVC 770 On bottom to back panel. PVC

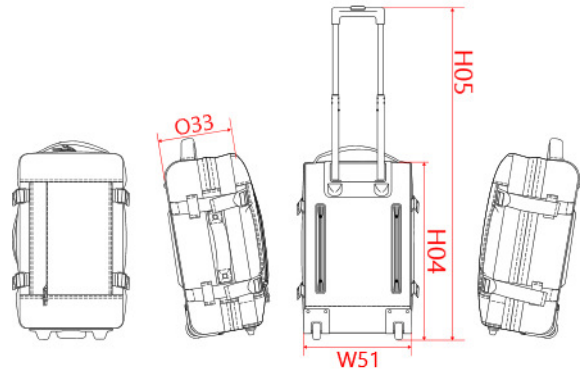
Lining : Polyester 210D PU backing - 75 As inside lining. 100% polyester

Material 3 : PVC quality For trolley system + foots. 100% polyvinyl chloride

Material 1 : Metal quality For trolley system + trolley rivets. 100%metal

**TECHNICAL DETAIL :**

PVC backing



DESCRIPTION	
<b>Français :</b>	Sac trolley cabine
<b>English :</b>	Cabine size trolley suitcase
<b>Nederlands :</b>	Cabine size trolley suitcase
<b>Deutsch :</b>	Trolley-Kabinentasche
<b>Español :</b>	Maleta trolley de cabina
<b>Italiano :</b>	Trolley cabina
<b>Português :</b>	Trolley cabine

COLORS	PANTONE SERIGRAPHIE
Black	Black
Patriot blue	5265C

MEASUREMENT	
Description	U
<b>H05</b> Hauteur totale / Total height	103,50
<b>O33</b> Deep of bottom part	22
<b>H04</b> Hauteur coté / Side length	52
<b>W51</b> Total width	30

PACKING	
Box	4 pcs / box U => L:65cm W:35cm H:30cm GW:10.0kg NW:9.0kg