

**REFERENCE :** KI0906

**SIZES :** U

**COMPOSITION :**

Main fabric : Polyester 840D Dobby 100% Polyester

Lining : Polyester 210D PU backing - 75 As internal lining.  
100%polyester

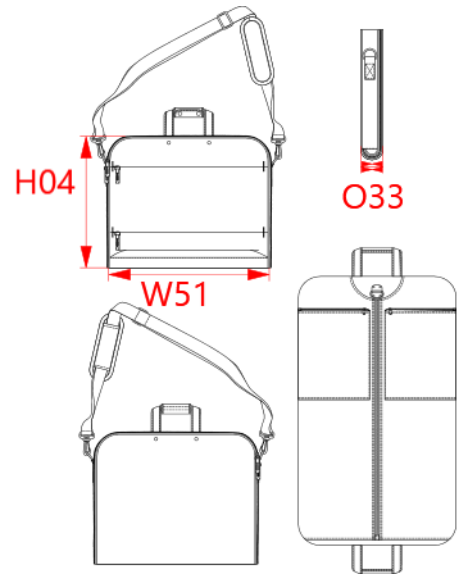
Padding : special PAD for shoulder & shoulder straps of backpacks On inside of handles pad closing shape + shoulder pad.

**TECHNICAL DETAIL :**

PU backing

**ARTICLE WEIGHT :**

800 gr/pc



DESCRIPTION	
<b>Français :</b>	Housse de voyage
<b>English :</b>	Garment bag
<b>Nederlands :</b>	Garment bag
<b>Deutsch :</b>	Kleidersack
<b>Español :</b>	Bolsa porta trajes
<b>Italiano :</b>	Borsa porta abiti
<b>Português :</b>	Porta fatos

COLORS	PANTONE SERIGRAPHIE
Black	Black

MEASUREMENT	
Description	U
<b>H04</b> Hauteur coté / Side length	45
<b>W51</b> Total width	55
<b>O33</b> Deep of bottom part	8

PACKING	
Box	20 pcs / box U => L:58cm W:50cm H:45cm GW:18,2Kg NW:16Kg