

**REFERENCE :** KI0415

**SIZES :** U

**COMPOSITION :**

Main fabric : Cotton canvas 340 100%cotton

Fabric 2 : Faux leather nappa PVC As contrast fabric for belts closing on body bag + shoulder belt. 100%PVC

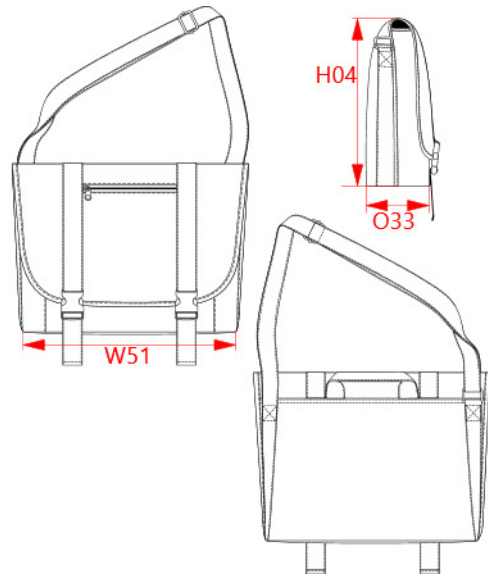
Lining : Polyester 210D PU backing - 75 As lining, on back side of flap panel. 100%polyester

**TECHNICAL DETAIL :**

Washed canvas for vintage look

**ARTICLE WEIGHT :**

520 gr/pc



DESCRIPTION	
<b>Français :</b>	Sac messenger
<b>English :</b>	Messenger bag
<b>Nederlands :</b>	Messenger bag
<b>Deutsch :</b>	Messenger Tasche
<b>Español :</b>	Bolsa messenger
<b>Italiano :</b>	Borsa messenger
<b>Português :</b>	Mala messenger

COLORS	PANTONE SERIGRAPHIE
Vintage khaki	2327C
Black	Black

MEASUREMENT							
Description	U						
<b>W51</b> Total width	40						
<b>H04</b> Hauteur coté / Side length	32						
<b>O33</b> Deep of bottom part	12						

PACKING	
Box	30 pcs / box U => L:49cm W:40cm H:52cm GW:16,6kg NW:15,6kg