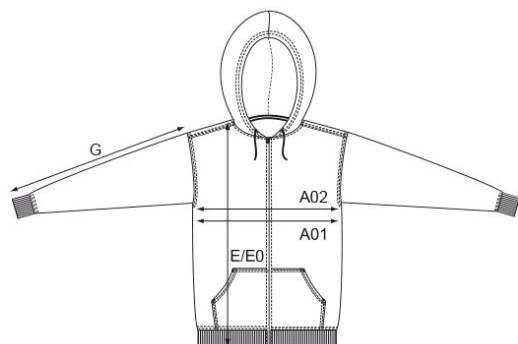


5300F

Men's Hooded Jacket 80/20



measurement table (cm)

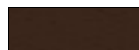
	S	M	L	XL	XXL	XXXL
A02	50	53	56	59	62	65
E	66	68	70	72	74	75
G	67	68,5	70	71,5	71,5	71,5

A02 1/2 CHEST

E BODY LENGTH

G SLEEVE LENGTH

colours

OF/off white
11-0606 TPX/TCX9D/black
19-4205 TPX/TCXCH/chocolate
19-0915 TPX/TCXPA/pansy
19-3542 TPX/TCX

product description

Jacket, fashionable double hood with lining, drawstring and extended zip, front slit pockets with decorative stitching, elastane sleeve cuffs and waistband, molton brushed, 80 % cotton, 20 % polyester, 320 g/m², S-XXL.
Colour black: available in sizes S-XXXL.

material

80 % cotton, 20 % polyester

weight

320 g/m²

sizes

S-XXXL

care instructions



packaging units

Unit = 5 pieces.

Carton = 15 pieces.

Sizes and weights + /- 5%. Subject to amendment.



CORPORATE FASHION SINCE 1989