



**REFERENCE :** KI3102

**SIZES :** U

**COMPOSITION :**

Main material : Stainless Steel quality Outside of bottle 100% stainless steel

Material 8 : PP plastic quality For top lid + inside layer of bottle. 100%polypropylene

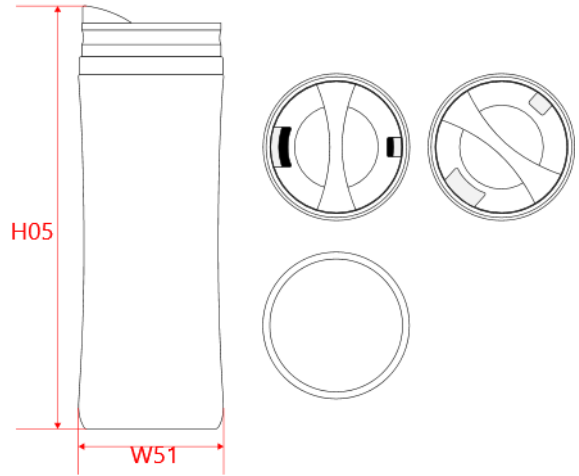
Material 7 : EVA quality For bottom non slip glued shape. 100% ethylene vinyl acetate

**TECHNICAL DETAIL :**

Stainless steel vacuum tumbler 410ml

**ARTICLE WEIGHT :**

190 gr/pc



DESCRIPTION	
<b>Français :</b> Gobelet inox avec couvercle 410ml	
<b>English :</b> Stainless steel vacuum tumbler 410ml	
<b>Nederlands :</b> Thermosbeker roestvrij staal	
<b>Deutsch :</b> Edelstahl vacuum becher	
<b>Español :</b> Vaso de viaje con tapa 410ml	
<b>Italiano :</b> Thermos in PP	
<b>Português :</b> Copo térmico em aço inoxidável	

COLORS	PANTONE SERIGRAPHIE
Black	Black
Silver	877C
White	White

MEASUREMENT							
Description	U						
<b>H05</b> Hauteur totale / Total height	21,50						
<b>W51</b> Total width	7						

PACKING	
Box	40 pcs / box U => L:36cm W:45cm H:45cm GW:9,5Kg NW:7,5Kg